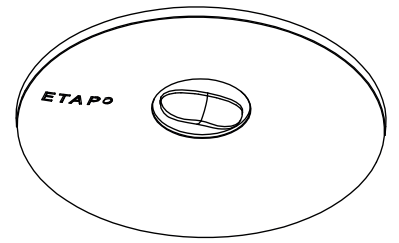


K1R2[1,2]

SPOT

ETAP tomorrow's light



VOORBEREIDING | PREPARATION | VORBEREITUNG | PREPARACIÓN

Information icons:

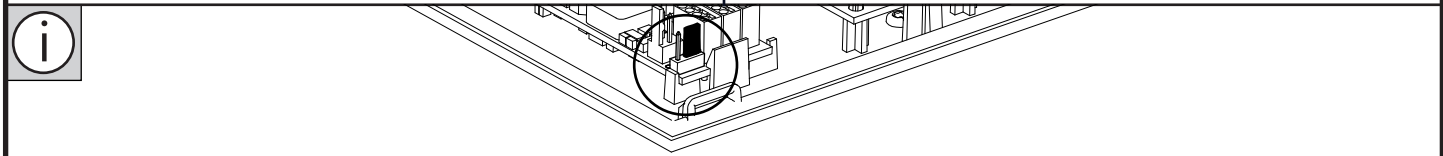
- Weight: 1 kg
- Warning: 1 person
- Hand protection: 1 person
- Recycling: Do not dispose in household waste
- LED: Do not touch the LED surface
- LED: Do not touch the LED surface
- Battery: Do not touch the battery terminals

Technical drawings showing the spot light fixture with dimensions: $\text{Ø}110 \text{ mm}$, 53 mm , and 190 mm .

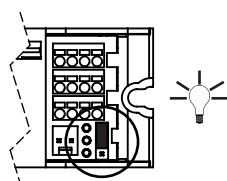
Installation dimensions:

Min. 85 mm
Max. 100 mm

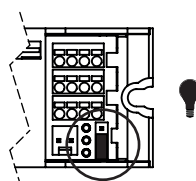
Beam spread options:



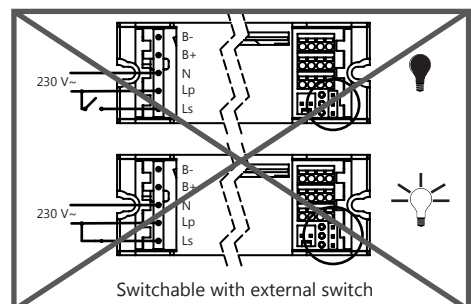
MODE SETTINGS



Maintained
(Switchable with ETAP
Safety Manager)



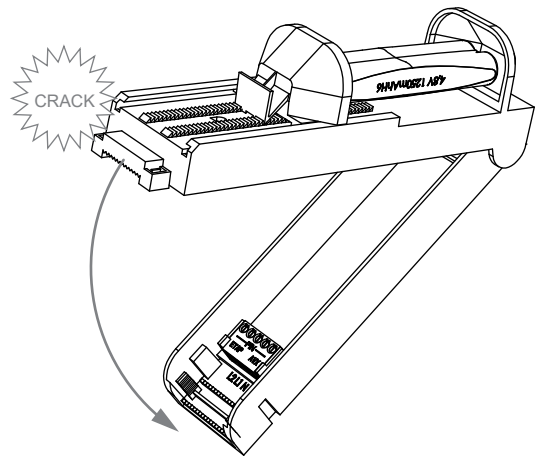
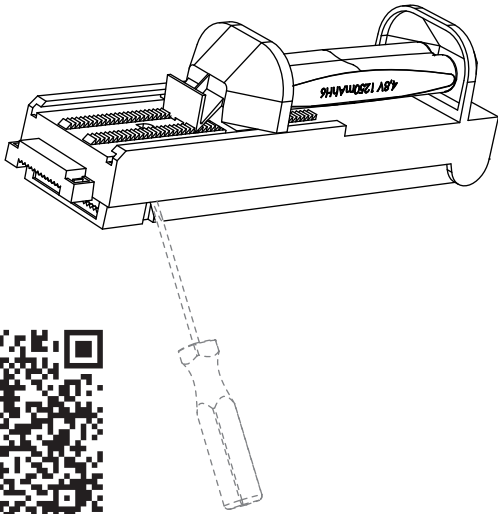
Non-maintained
(Not switchable)



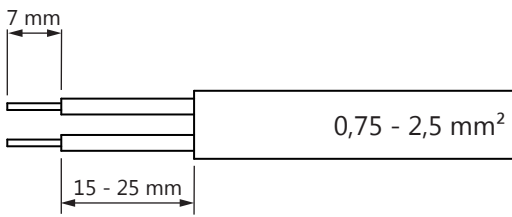
Switchable with external switch
The external switching functionality is unavailable in this model.
Contact ETAP for more information.

INSTALLATIE | INSTALLATION | INSTALACIÓN

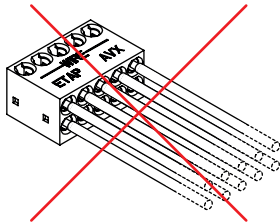
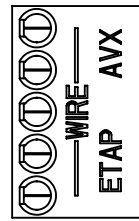
1



<https://youtu.be/ia6EHieDEwA>

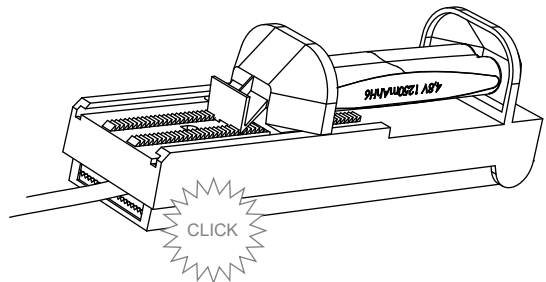
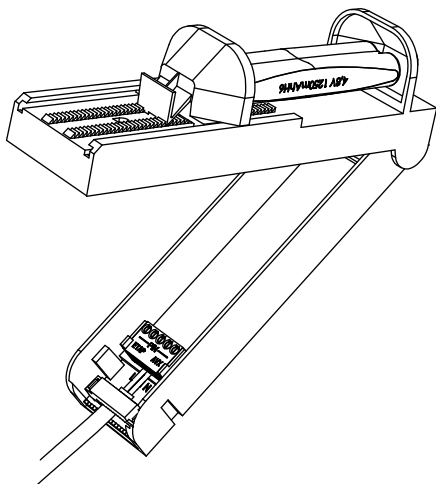


B-B+ N Lp Ls

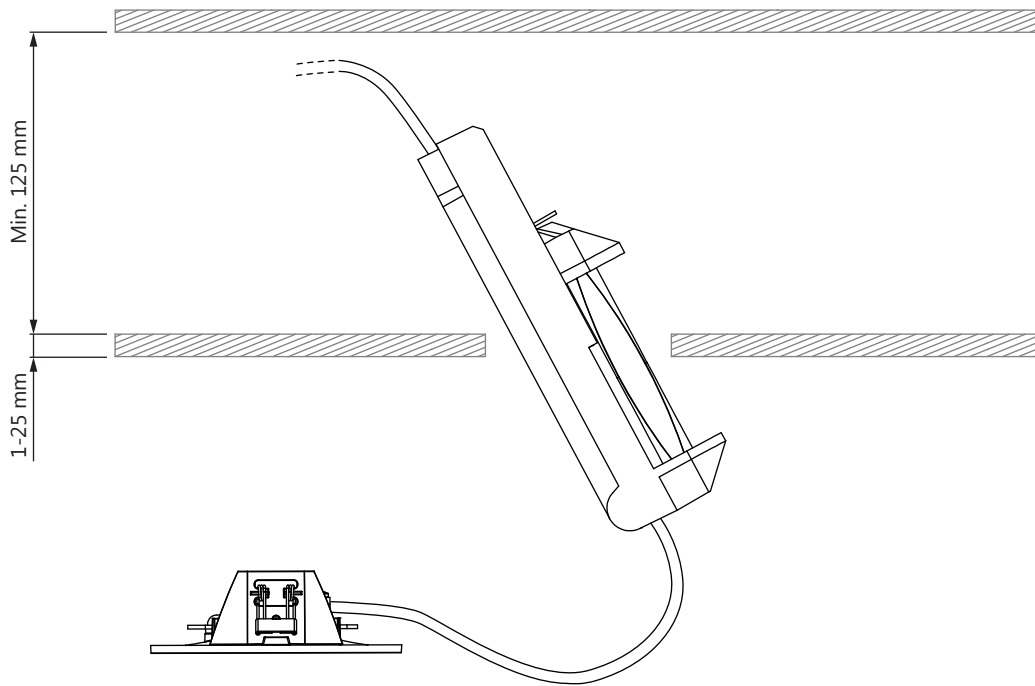


Doorvoer niet toegelaten
Through wiring not allowed
Grâce au câblage non autorisé
Durchverdrahtung nicht erlaubt
A través del cableado no permitido

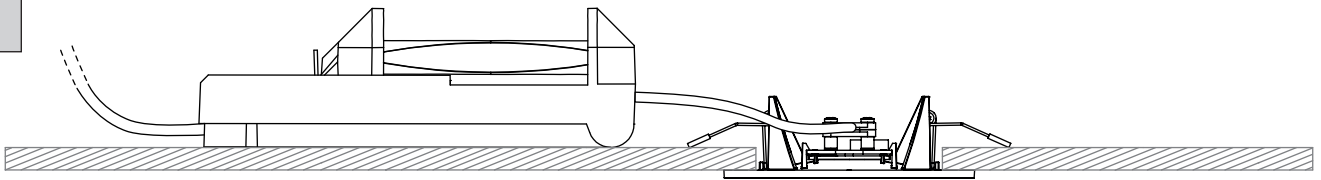
2



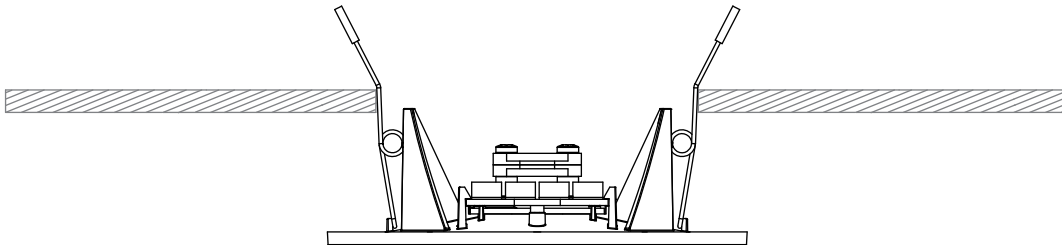
3



4

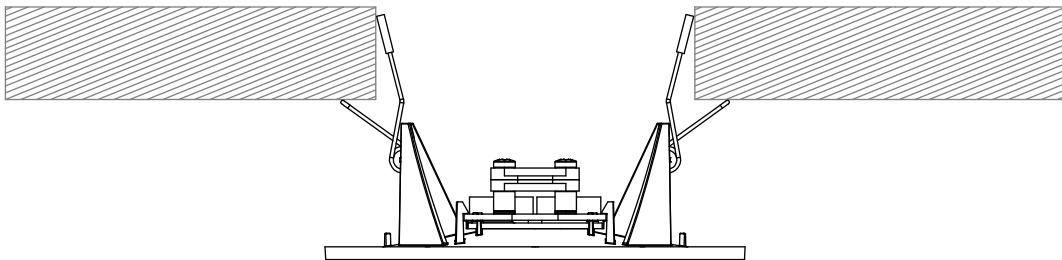


PLAFOND - DECKE - CEILING - TECHO = 1-5 MM



PLAFOND - DECKE - CEILING - TECHO = 5-25 MM

ZACHT PLAFOND - WEICHE DECKE - SOFT CEILING - TECHO BLANDO = 5-20 MM



www.etaplighting.com/downloads

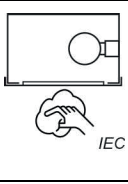
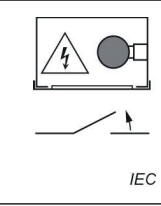
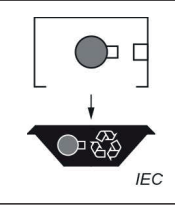
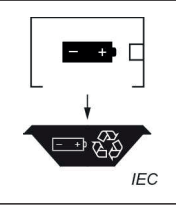
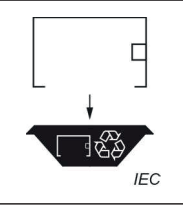
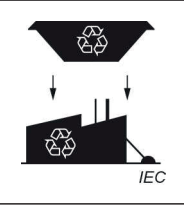
De gegevens in deze publicatie zijn zonder verbintenis en kunnen wijzigen ingevolge technische evolutie.

Les données dans cette publication sont sans engagement et peuvent subir des modifications en fonction de l'évolution technique.

Die in dieser Publikation verwendeten Daten sind unverbindlich und können sich infolge technischer Entwicklung verändern.

Information is provided without obligation, and may be modified as a result of technical developments.

Esta información no es carácter contractual y puede modificarse como resultado del desarrollo técnico.

Instructions for luminaire cleaning	Instructions for end of life dismantling				
<div data-bbox="172 248 323 365" style="border: 1px solid black; padding: 5px; text-align: center;">Wipe outside optic</div> <div data-bbox="172 369 323 551" style="border: 1px solid black; padding: 5px;">  </div>	<div data-bbox="451 248 651 342" style="border: 1px solid black; padding: 5px; text-align: center;">Switch off Switch off supply to luminaire</div> <div data-bbox="451 347 651 551" style="border: 1px solid black; padding: 5px;">  </div>	<div data-bbox="659 248 858 342" style="border: 1px solid black; padding: 5px; text-align: center;">Remove light source for recycling</div> <div data-bbox="659 347 858 551" style="border: 1px solid black; padding: 5px;">  </div>	<div data-bbox="866 248 1058 342" style="border: 1px solid black; padding: 5px; text-align: center;">Remove battery for recycling</div> <div data-bbox="866 347 1066 551" style="border: 1px solid black; padding: 5px;">  </div>	<div data-bbox="1069 248 1265 342" style="border: 1px solid black; padding: 5px; text-align: center;">Remove luminaire for recycling</div> <div data-bbox="1069 347 1273 551" style="border: 1px solid black; padding: 5px;">  </div>	<div data-bbox="1276 248 1481 342" style="border: 1px solid black; padding: 5px; text-align: center;">Dispatch materials to recycling plant</div> <div data-bbox="1276 347 1481 551" style="border: 1px solid black; padding: 5px;">  </div>
IEC 62722-1 ed.2.0"Copyright © 2022 IEC Geneva, Switzerland. www.iec.ch					

ETAP Lighting International NV | Antwerpsesteenweg 130 - 2390 Malle - Belgium
 Tel. +32 (0)3 310 02 11
 www.etaplighting.com

"The author thanks the International Electrotechnical Commission (IEC) for permission to reproduce Information from its International Standards. All such extracts are copyright of IEC, Geneva, Switzerland. All rights reserved. Further information on the IEC is available from www.iec.ch. IEC has no responsibility for the placement and context in which the extracts and contents are reproduced by the author, nor is IEC in any way responsible for the other content or accuracy therein."