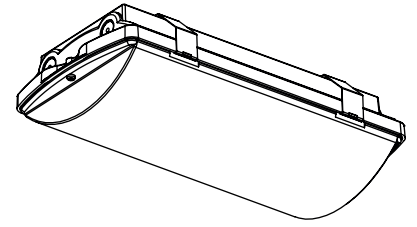
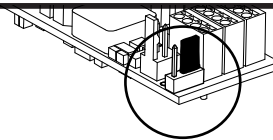
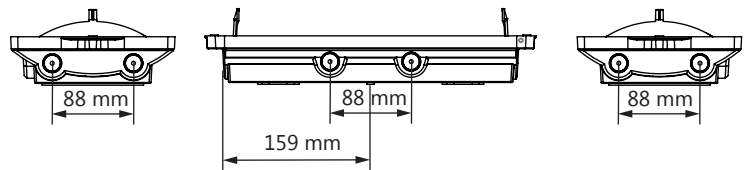
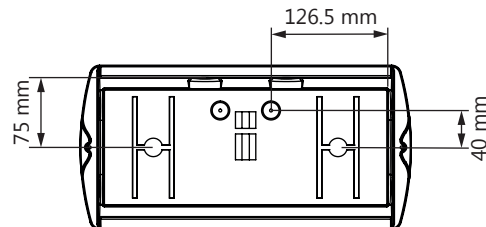
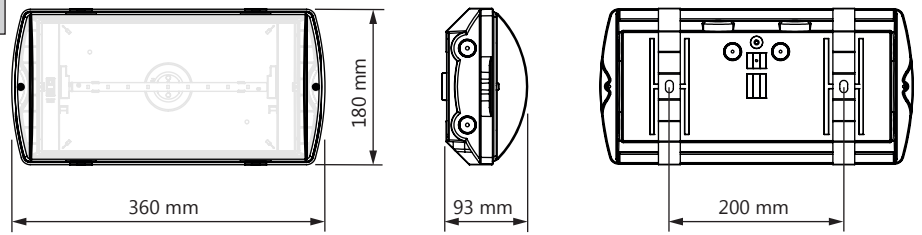
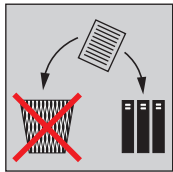


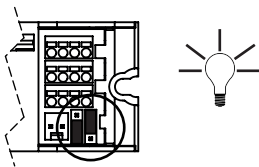
K26



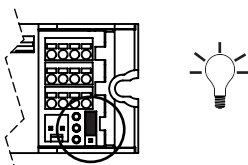
VOORBEREIDING | PREPARATION | VORBEREITUNG | PREPARACIÓN



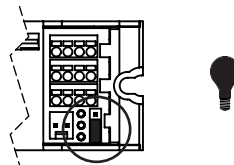
MODE SETTINGS



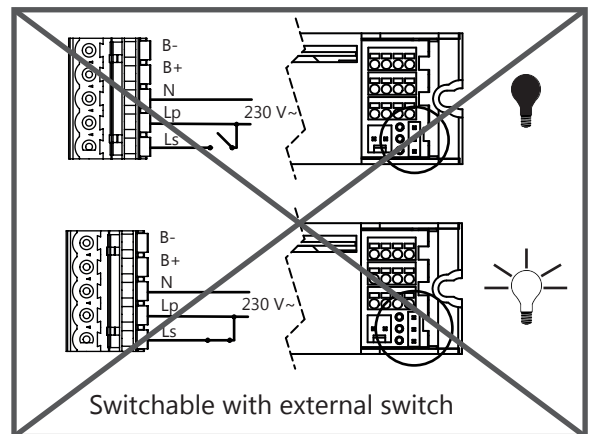
Maintained - High flux
(Switchable with ETAP
Safety Manager)



Maintained - Low flux
(Switchable with ETAP
Safety Manager)

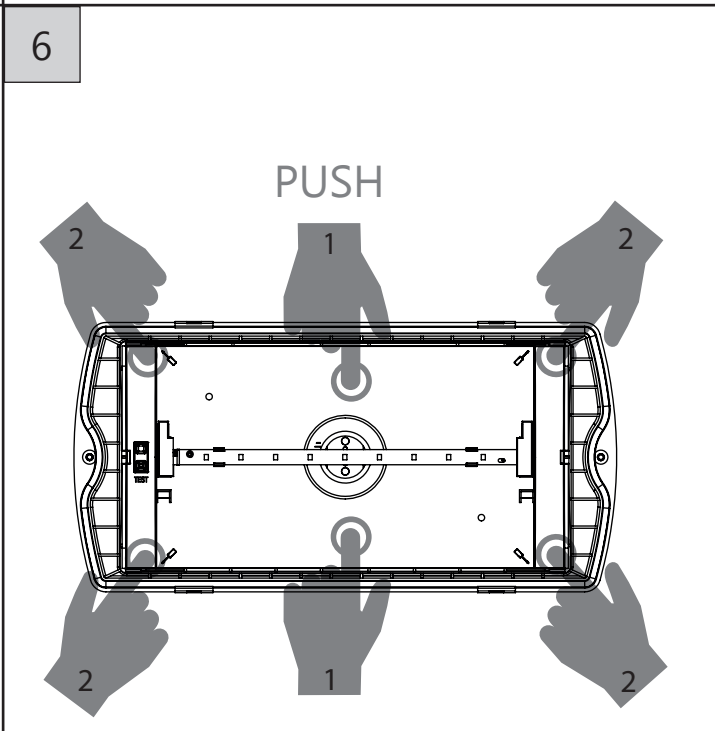
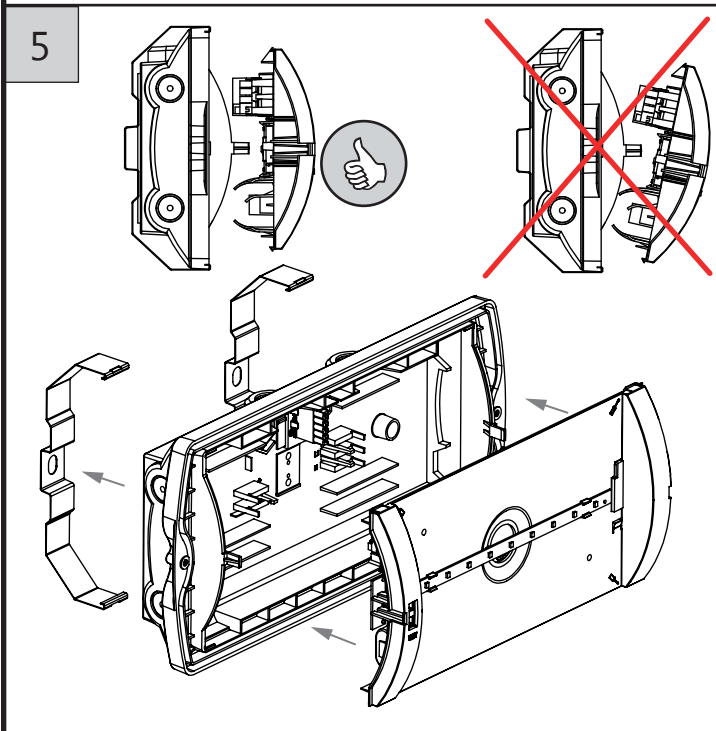
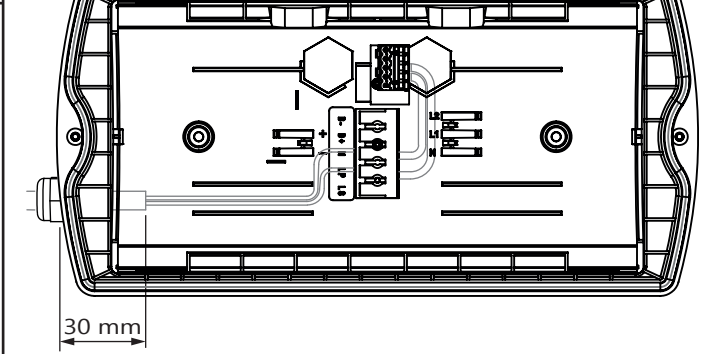
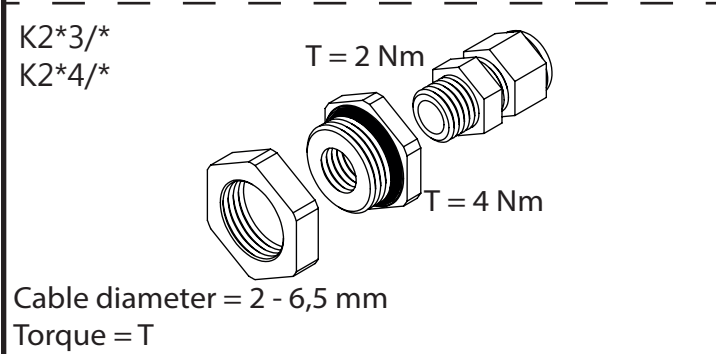
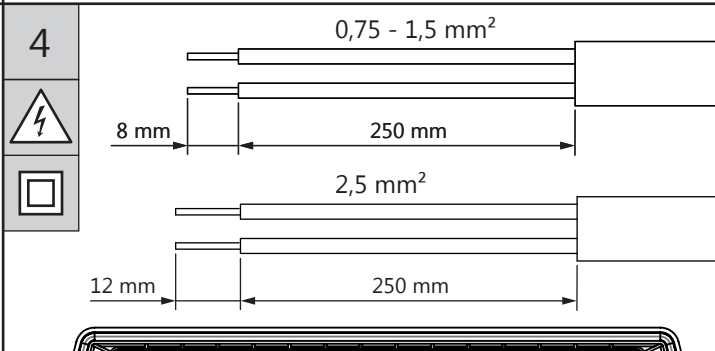
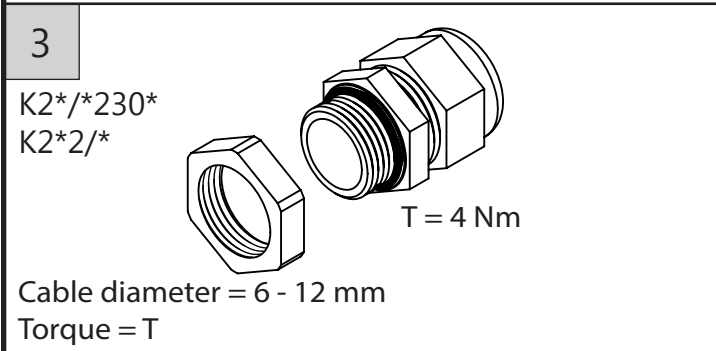
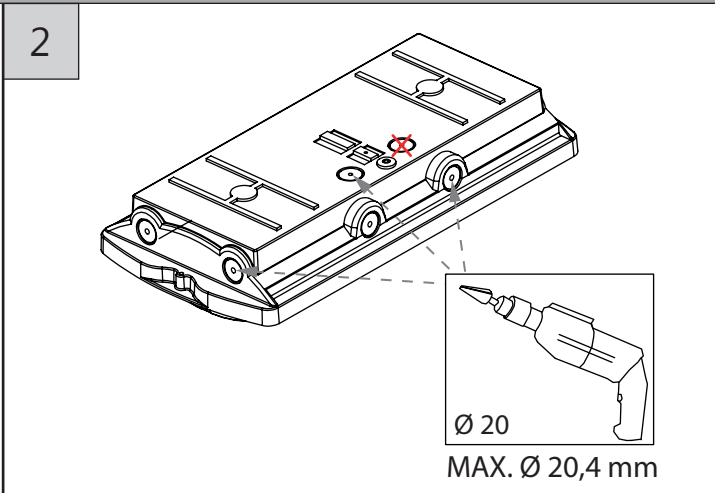
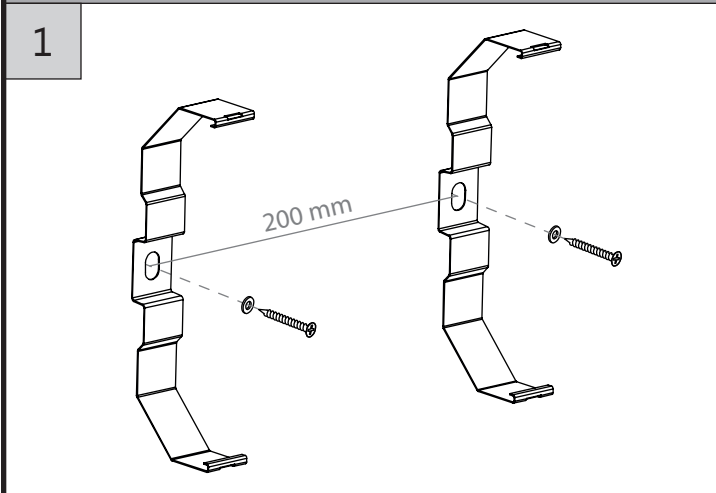


Non-maintained
(Not switchable)

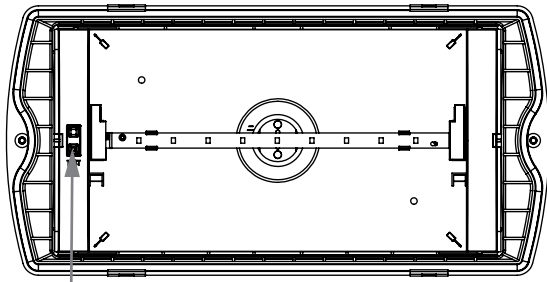


The external switching functionality is unavailable in this model.
Contact ETAP for more information.

INSTALLATIE | INSTALLATION | INSTALACIÓN

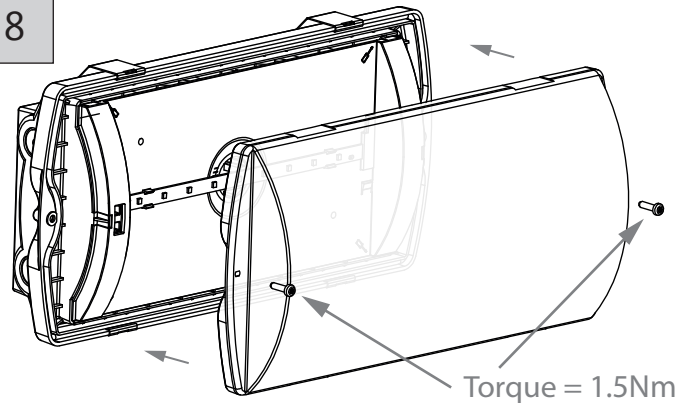


7

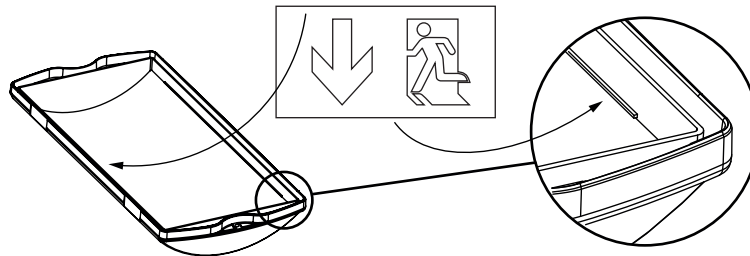


TEST

8

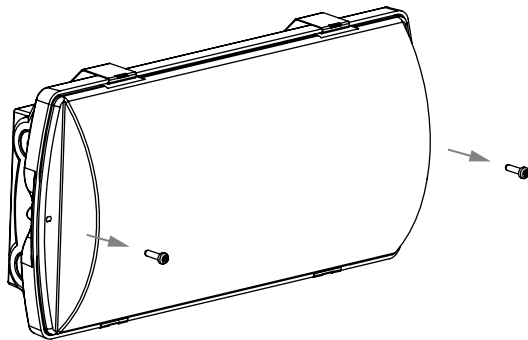


Torque = 1.5Nm

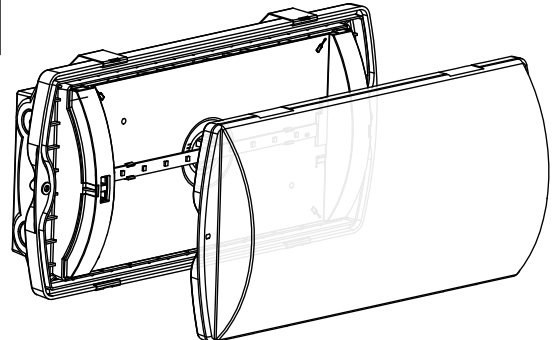


TOESTEL OPENEN | OUVRIER L'APPAREIL | DAS GERAT OFFNEN
 OPEN THE APPLIANCE | ABRA EL APARATO

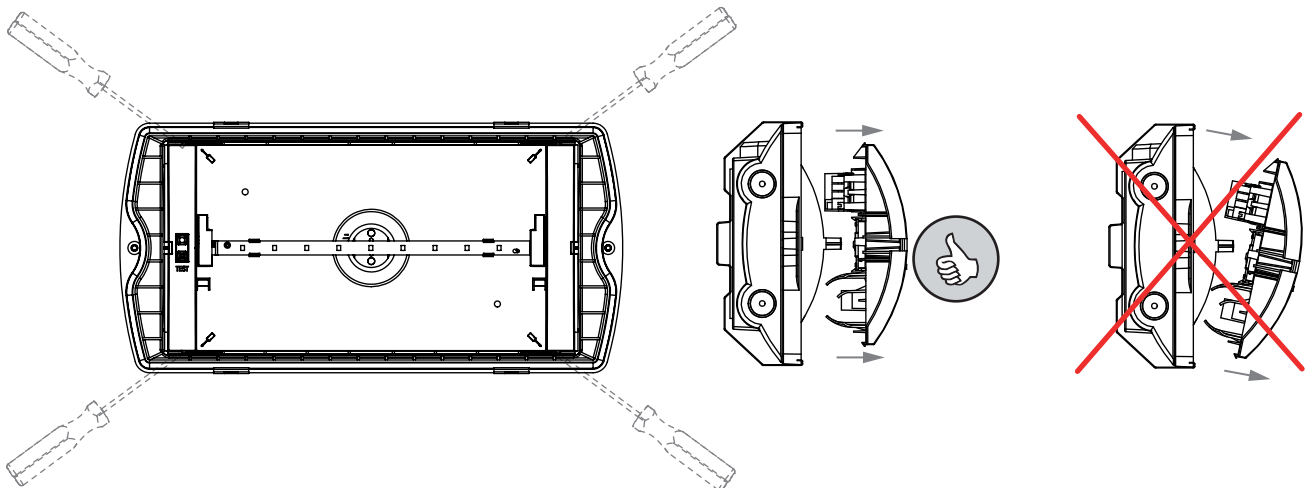
1



2



3



www.etaplighting.com/downloads

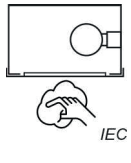
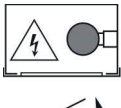
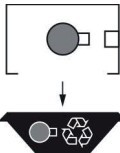
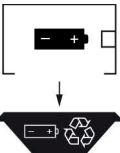
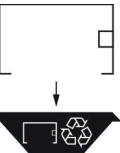
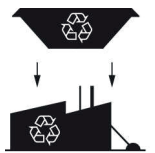
De gegevens in deze publicatie zijn zonder verbintenis en kunnen wijzigen ingevolge technische evolutie.

Les données dans cette publication sont sans engagement et peuvent subir des modifications en fonction de l'évolution technique.

Die in dieser Publikation verwendeten Daten sind unverbindlich und können sich infolge technischer Entwicklung verändern.

Information is provided without obligation, and may be modified as a result of technical developments.

Esta información no es carácter contractual y puede modificarse como resultado del desarrollo técnico.

Instructions for luminaire cleaning	Instructions for end of life dismantling				
<div data-bbox="165 248 319 371" style="border: 1px solid black; padding: 5px; text-align: center;"> Wipe outside optic </div> <div data-bbox="165 371 319 555" style="border: 1px solid black; padding: 5px;">  <p style="text-align: right; font-size: small;">IEC</p> </div>	Switch off Switch off supply to luminaire	Remove light source for recycling	Remove battery for recycling	Remove luminaire for recycling	Dispatch materials to recycling plant
	 <p style="text-align: right; font-size: small;">IEC</p>	 <p style="text-align: right; font-size: small;">IEC</p>	 <p style="text-align: right; font-size: small;">IEC</p>	 <p style="text-align: right; font-size: small;">IEC</p>	 <p style="text-align: right; font-size: small;">IEC</p>
IEC 62722-1 ed.2.0 "Copyright © 2022 IEC Geneva, Switzerland. www.iec.ch					

ETAP Lighting International NV | Antwerpsesteenweg 130 - 2390 Malle - Belgium
 Tel. +32 (0)3 310 02 11
 www.etaplighting.com

"The author thanks the International Electrotechnical Commission (IEC) for permission to reproduce Information from its International Standards. All such extracts are copyright of IEC, Geneva, Switzerland. All rights reserved. Further information on the IEC is available from www.iec.ch. IEC has no responsibility for the placement and context in which the extracts and contents are reproduced by the author, nor is IEC in any way responsible for the other content or accuracy therein."