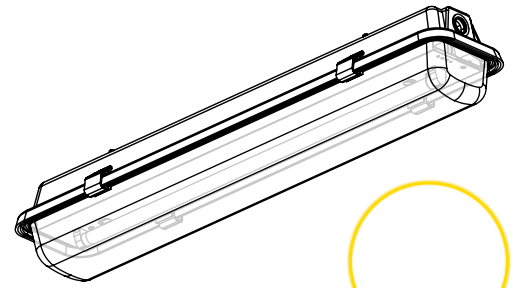


K3M

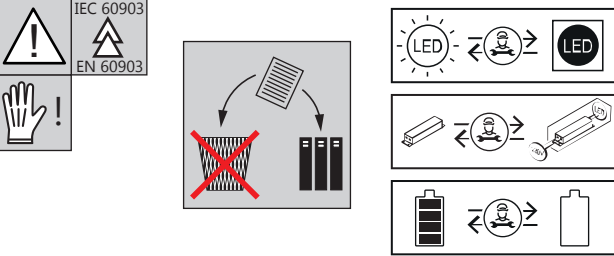
K3: FLUO → LED

Productiedatum ≥ 1990.
Date de production ≥ 1990
Produktionsdatum ≥ 1990
Production date ≥ 1990
Fecha de producción ≥ 1990



ETAP tomorrow's light

INSTALLATIE | INSTALLATION | INSTALACIÓN

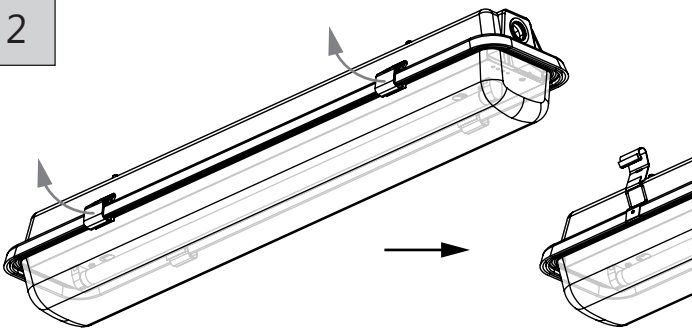


1

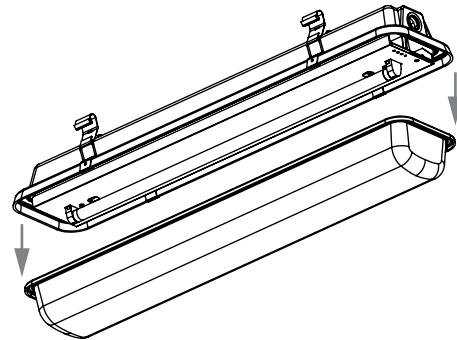
SCHAKEL NETSPANNING UIT.
ÉTEIGNEZ L'ALIMENTATION SECTEUR
ABSCHALTEN DER NETZSPANNUNG
SWITCH OFF MAINS POWER
APAGUE LA ALIMENTACIÓN ELÉCTRICA



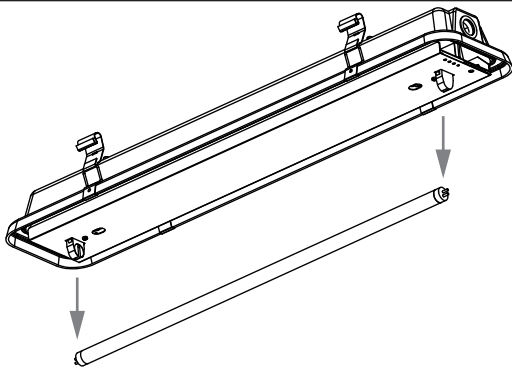
2



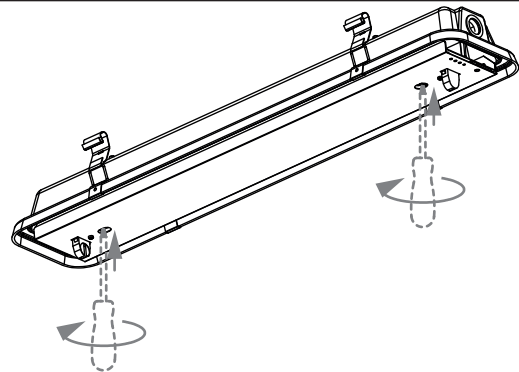
3



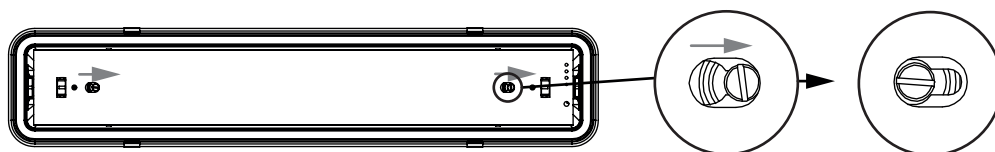
4



5

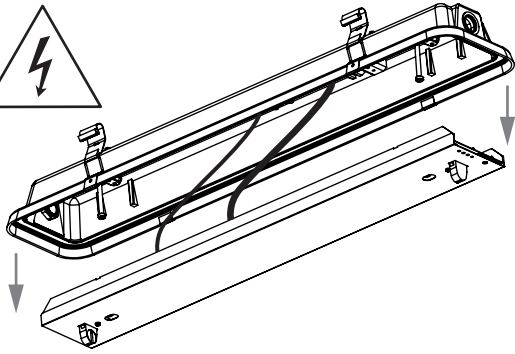


6



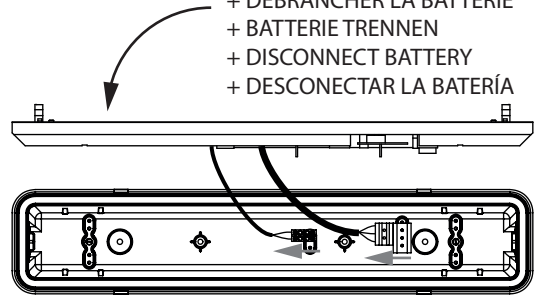
! DE ELEKTRONISCHE ONDERDELEN NIET AANRAKEN VOORALEER DE BATTERIJ IS ONTKOPPELD!
! NE PAS TOUCHER L'ELECTRONIQUE AVANT DE DECONNECTER LA BATTERIE!
! NICHT DIE ELEKTRONIK BERÜHREN, BEVOR DIE BATTERIE GETRENNT WURDE!
! DO NOT TOUCH THE ELECTRONICS BEFORE DISCONNECTING THE BATTERY!
! NO TOQUE LA ELECTRONICA ANTES DE DESCONECTAR LA BATERIA!

7

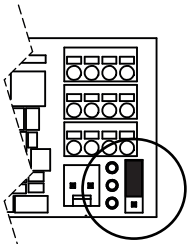


8

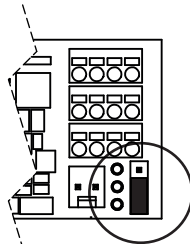
- + BATTERIJ LOSKOPPELEN
- + DÉBRANCHER LA BATTERIE
- + BATTERIE TRENNEN
- + DISCONNECT BATTERY
- + DESCONECTAR LA BATERÍA



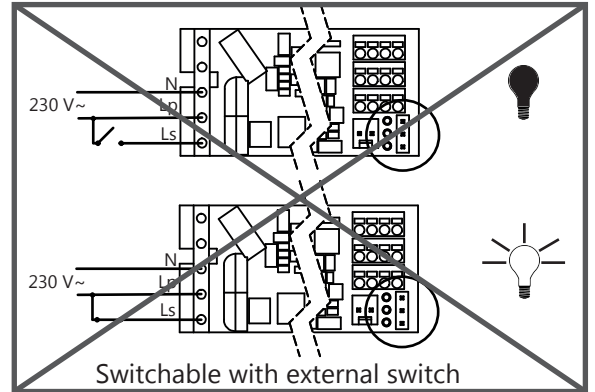
MODE SETTINGS



Maintained
(Switchable with ETAP
Safety Manager)



Non-maintained
(Not switchable)

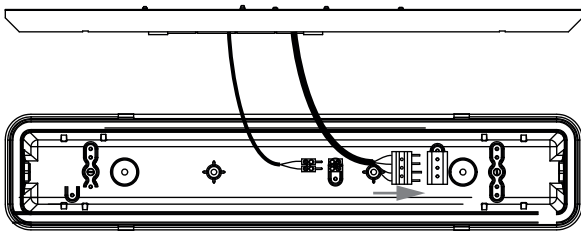


Switchable with external switch

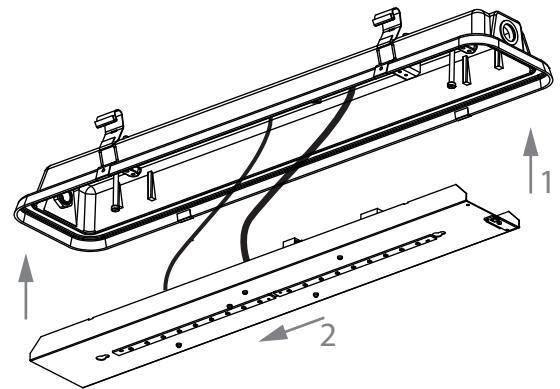
The external switching functionality is unavailable in this model.
Contact ETAP for more information.

9a

K3M* (LED)

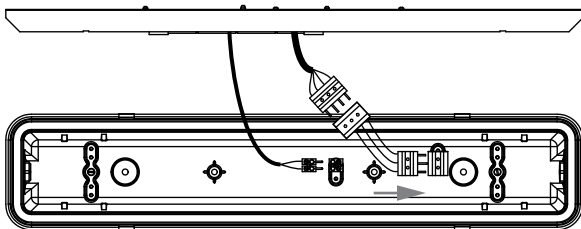


10

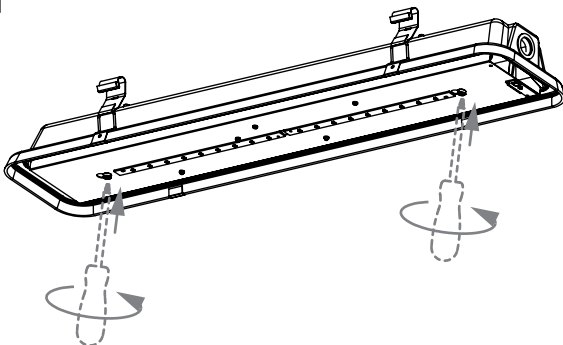


9b

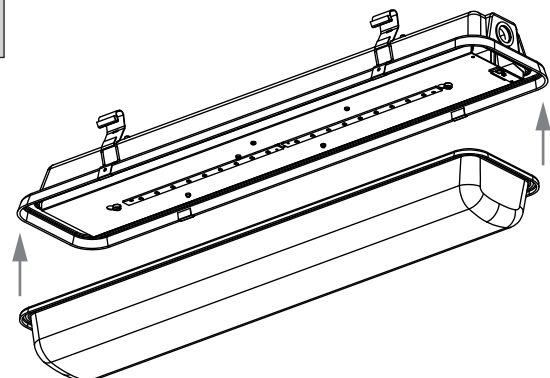
K3M* (LED)



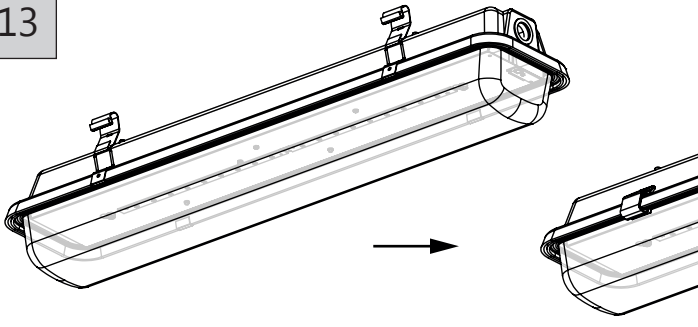
11



12



13



14

SCHAKEL NETSPANNING IN
 SWITCH ON MAINS POWER
 ZUSCHALTEN DER NETZSPANNUNG
 ALLUMER L'ALIMENTATION SECTEUR
 ENCIENDA EL TENSIÓN DE RED



www.etaplighting.com/downloads

De gegevens in deze publicatie zijn zonder verbintenis en kunnen wijzigen ingevolge technische evolutie.

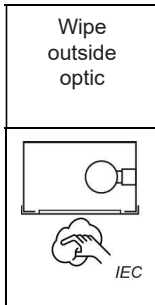
Les données dans cette publication sont sans engagement et peuvent subir des modifications en fonction de l'évolution technique.

Die in dieser Publikation verwendeten Daten sind unverbindlich und können sich infolge technischer Entwicklung verändern.

Information is provided without obligation, and may be modified as a result of technical developments.

Esta información no es caracter contractual y puede modificarse como resultado del desarrollo técnico.

Instructions for luminaire cleaning



Instructions for end of life dismantling

Switch off Switch off supply to luminaire	Remove light source for recycling	Remove battery for recycling	Remove luminaire for recycling	Dispatch materials to recycling plant

IEC 62722-1 ed.2.0 "Copyright © 2022 IEC Geneva, Switzerland. www.iec.ch

ETAP Lighting International NV | Antwerpsesteenweg 130 - 2390 Malle - Belgium
 Tel. +32 (0)3 310 02 11
www.etaplighting.com

"The author thanks the International Electrotechnical Commission (IEC) for permission to reproduce Information from its International Standards. All such extracts are copyright of IEC, Geneva, Switzerland. All rights reserved. Further information on the IEC is available from www.iec.ch. IEC has no responsibility for the placement and context in which the extracts and contents are reproduced by the author, nor is IEC in any way responsible for the other content or accuracy therein."